

# Switchcraft®

[Previous Page](#) | [Return to Index](#) | [Next Page](#)



## **RIGHT-ANGLE AUDIO PHONE PLUG FEATURING 3-PIECE CONSTRUCTION AND FAST TERMINATION/ ASSEMBLY**

**226**

[click here to download a schematic drawing](#)

(you will need to have Adobe Acrobat installed on your system to do this)



Switchcraft's 2- or 3-conductor right-angle audio phone plugs are designed for OEMs and users of commercial phone plugs. The plugs offer large terminals for easy wiring, and only three pieces to assemble - handle, insulator and finger/housing assembly and rugged reliability for stable, long-term, trouble-free operation.

<b>Part Number</b>	<b>Description</b>	<b>Typical Mating Jack</b>
236	3-conductor 1/4 inch right-angle commercial plug.	12B, 13B, 112B, 113B
226	2-conductor 1/4 inch right-angle	11, 12A, 111, 112A

## FEATURES

- \* **Easy Termination:** Large terminals accept up to 16 AWG wiring (cables up to .25 inch diameter)
- \* **3-Piece Assembly:** Screw on the handle for quick and easy assembly; minimizes labor costs.
- \* **Rugged:** All metal exterior construction.
- \* **Low Profile:** Only 1/2 inch wide. Ideal for crowded, multi-channel panels. Right-angle handle minimizes space required behind equipment.
- \* **Knurled Handles:** Positive grip during connect/disconnect.
- \* **Rugged Cable Clamp:** Isolates pulling and twisting strains.

## SPECIFICATIONS

**Tip, Rod and Handle:** Nickel-plated copper alloy.

**Housing/Sleeve:** Nickel-plated.

**Tip Terminal:** Tin-plated copper alloy.

**Sleeve (Clamp) Terminal:** Tin-plated steel.

**Insulation:** Thermoplastic.

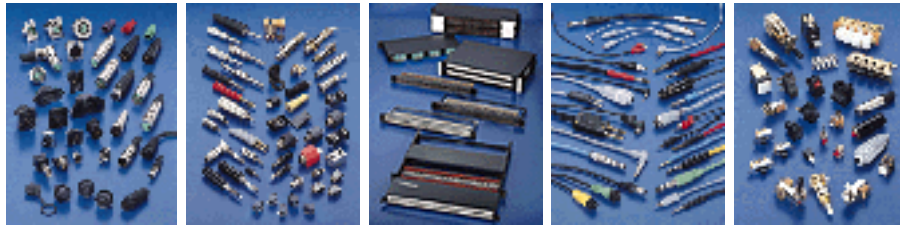
**Dielectric Withstanding Voltage:** 500 Vac.

**Insulation Resistance:** 50,000 Megaohms minimum (initial).

**Operating Temperature:** -20°C to +65°C.

[Previous Page](#) | [Return to Index](#) | [Next Page](#)

**To search a category please click on the corresponding icon:**



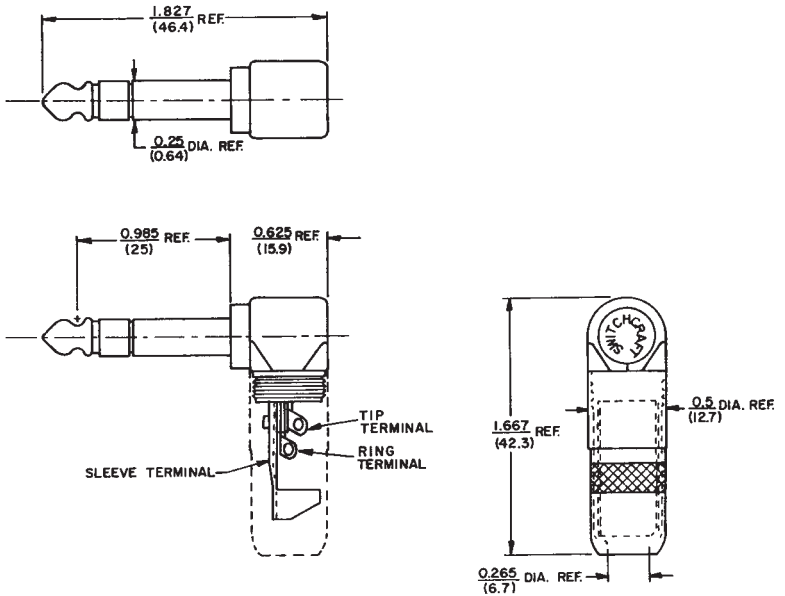
| [Connectors](#) | [Jacks and Plugs](#) |  
| [Patch Panels, Patch Kits & Jackfields](#) | [Cable Assemblies and Patch Cords](#) | [Switches](#) |

**All products shown are covered by Switchcraft's limited lifetime warranty.**

| [Switchcraft home](#) |  
[About Us](#) | [Products](#) | [What's New](#) | [Search](#) | [Contact Us](#)

SWITCHCRAFT, INC. 5555 N. Elston Ave.  
Chicago, IL 60630 • 773 792-2700 • FAX: 773 792-2129  
www.switchcraft.com

## RIGHT-ANGLE AUDIO PHONE PLUG



No. 236